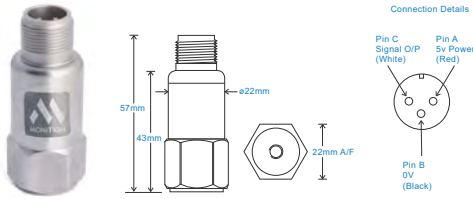


MS-104 Low Power Accelerometer

AC Acceleration Output

Cable and Connector Options

3 Pin MS Connector (52)



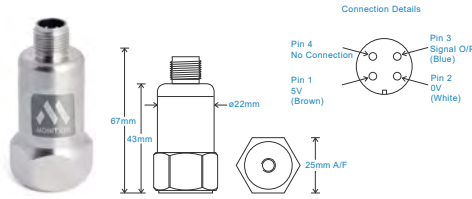
Cable/Connector

Connector	MS-AA004-non-booted MS-AA053 or MS-0054-booted
-----------	---

Environmental

Operating Temperature Range	-50 to 125°C
Sealing	IP67
Maximum Shock	5000g
EMC	EN61326-1:2013

M12 Connector (54)



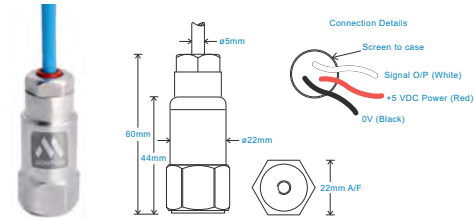
Cable/Connector

Connector	MS-AC010 - straight MS-AC011 - right angle
-----------	---

Environmental

Operating Temperature Range	-50 to 125°C
Sealing	IP67
Maximum Shock	5000g
EMC	EN61326-1:2013

Silicon Cable (07)



Cable/Connector

Screened Cable	Silicon
Maximum cable length	1000 metres
Standard cable length	5 metres

Environmental

Operating Temperature Range	-50 to 125°C
Sealing	IP68
Maximum Shock	5000g
EMC	EN61326-1:2013

Technical Performance

Mounted Base Resonance	see 'How To Order' table (nominal)
Sensitivity	see: 'How To Order' table $\pm 10\%$ Nominal 80Hz at 22°C
Frequency Response	0.3Hz (18cpm) to 10kHz (600kcpm) $\pm 10\%$
Isolation	Base isolated
Range	see: 'How To Order' table @ 5V power
Transverse Sensitivity	Less than 5%
Amplitude Linearity	$\pm 1\%$

Mechanical

Case Material	Stainless Steel
Sensing Element/Construction	PZT/Shear
Mounting Torque	8Nm
Weight	125gms (nominal)
Mounting Threads	see: 'How To Order' table

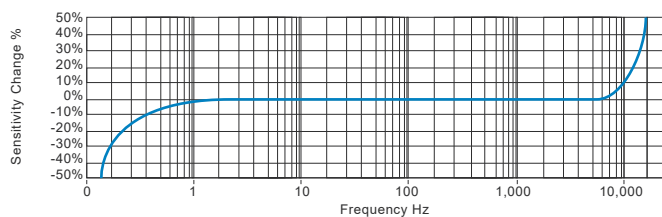
Electrical

Electrical Noise	< 500 μ g
Power Requirements	5V nominal (other voltages 1.8 to 24V on request)
Current Consumption	100 μ A nominal at 5V supply (60 μ A at 1.8V)
Bias Voltage	50% of supply voltage
Settling Time	1 second
Output Impedance	100 Ohms max.
Case Isolation	>10 ⁸ Ohms at 500 Volts

Industries

Building services, Pulp and Paper,
Mining, Metals, Utilities, Automotive,
Water, Pharmaceutical

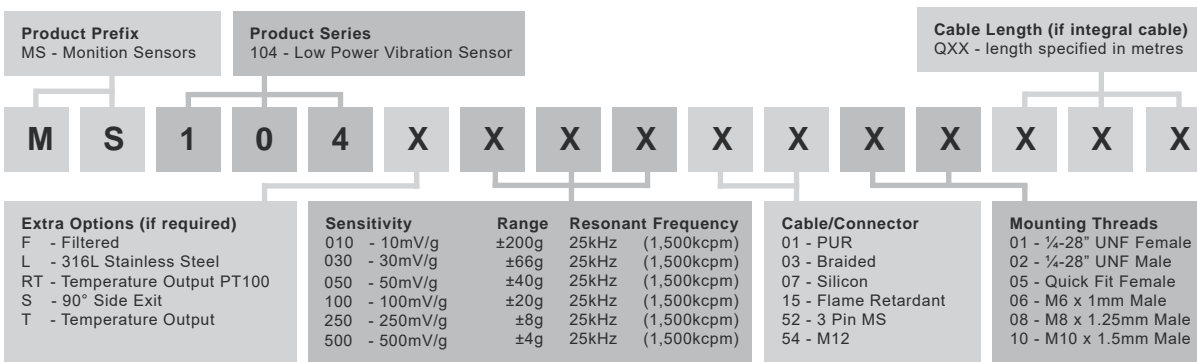
Typical Frequency Response (at 100mV/g)



Applications

Fans, Motors, Pumps, Compressors,
Centrifuges, Conveyors, Air Handlers,
Gearboxes, Rolls, Dryers, Presses,
Cooling, VAC, Spindles, Machine Tooling,
Process Equipment

How To Order



Please note: Always refer to the products full datasheet. This comprehensive product sheet cannot display every technical aspect.